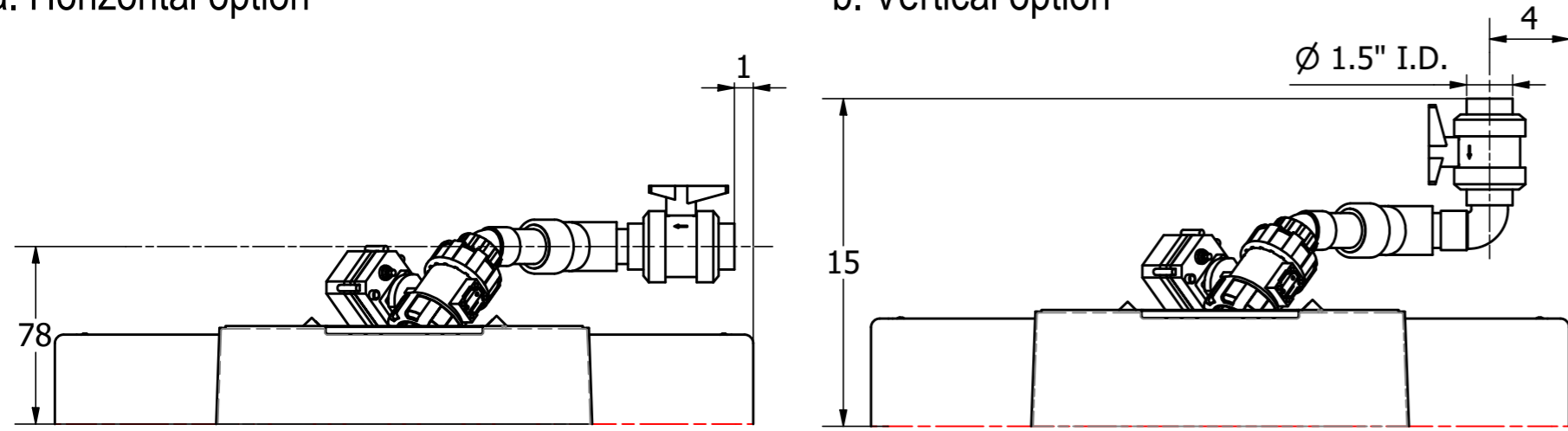


**PVC ball valve - Position options**

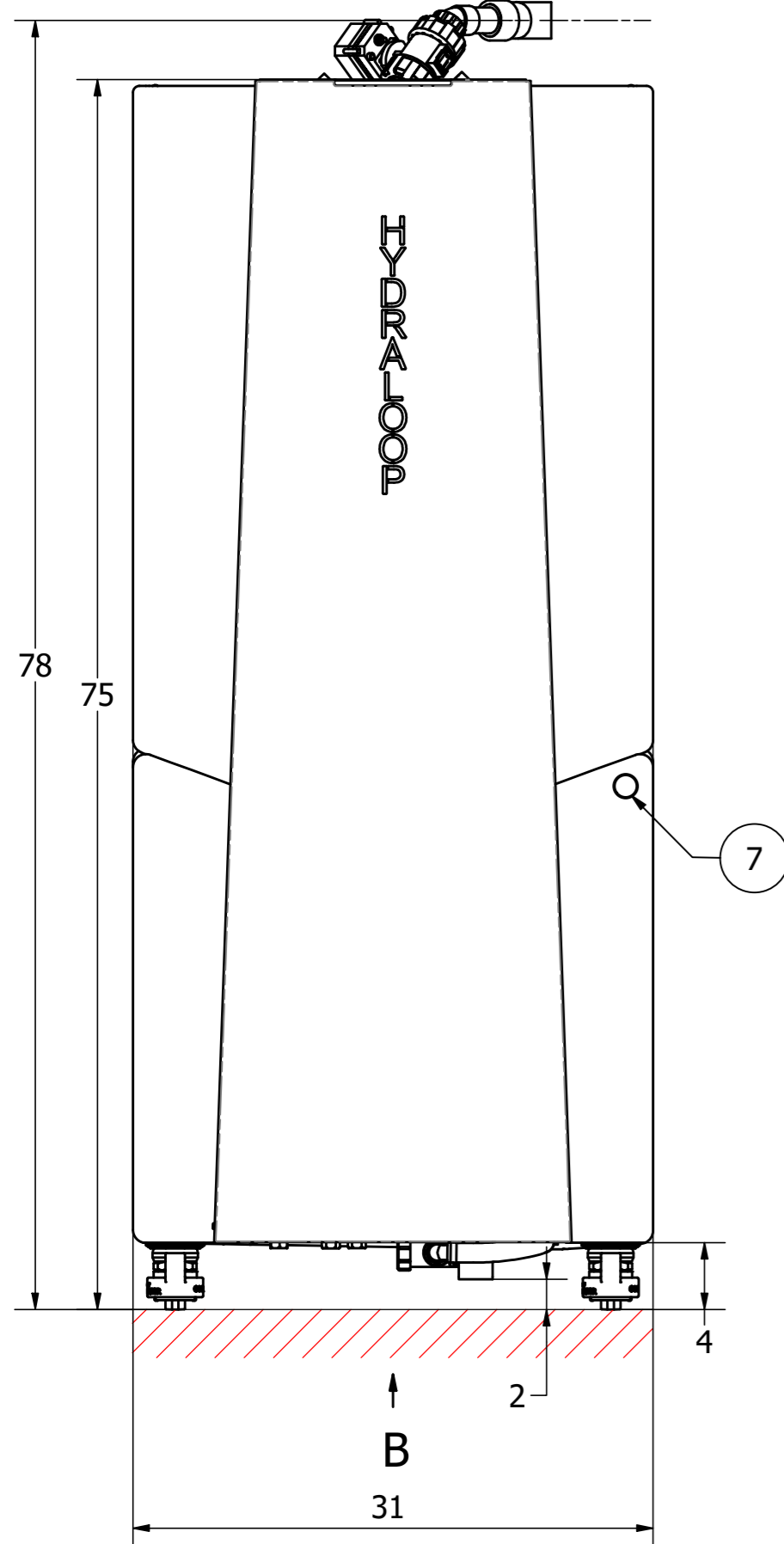
a. Horizontal option

b. Vertical option



Two Inlet options have been provided : 2" standard or 1.5" with the supplied ball valve.

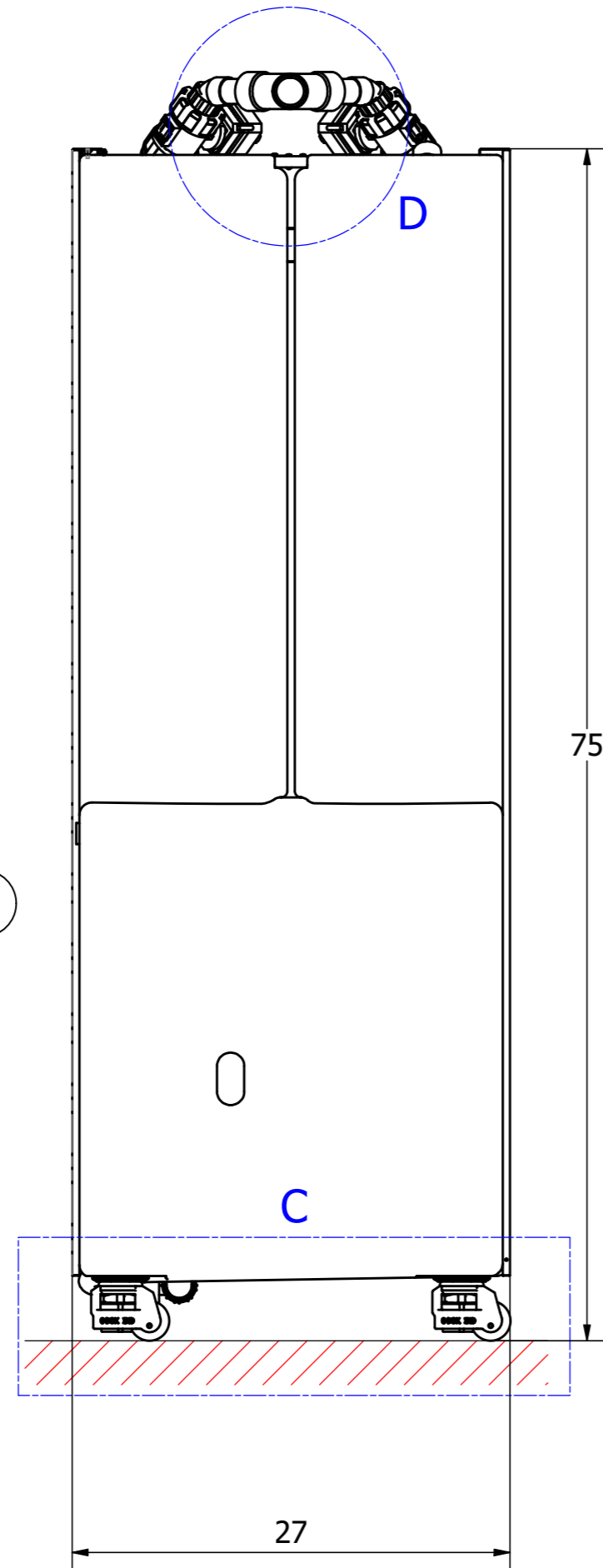
A



HYDRALOOP

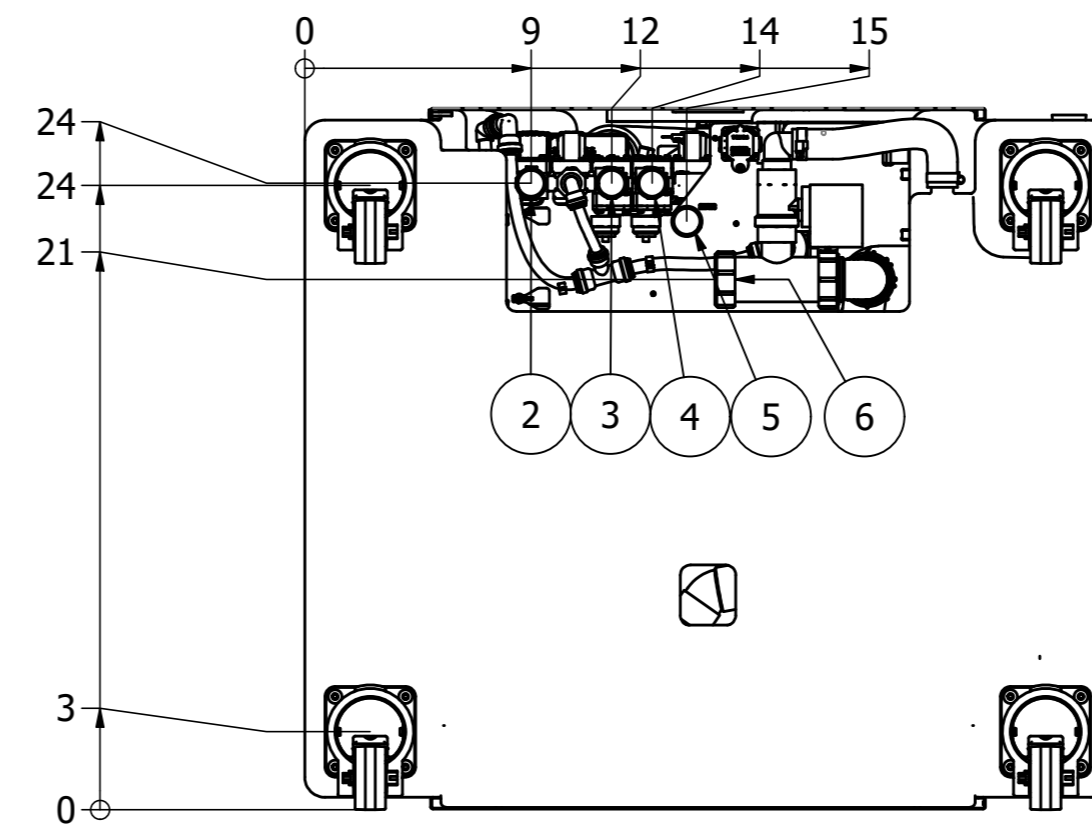
31

D



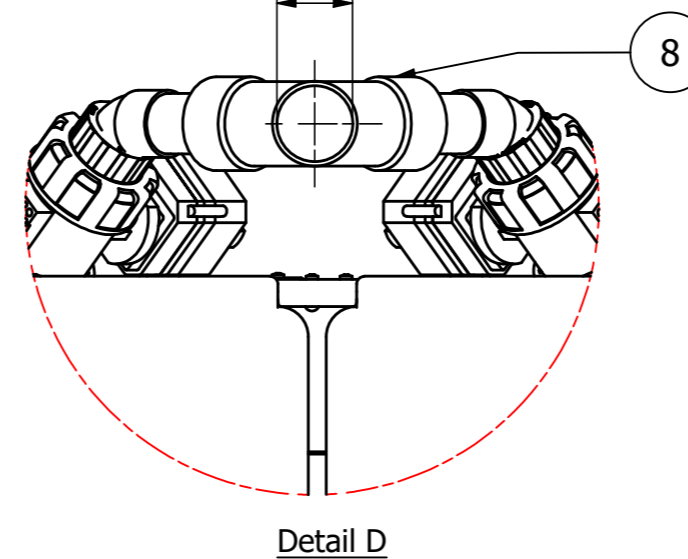
C

27

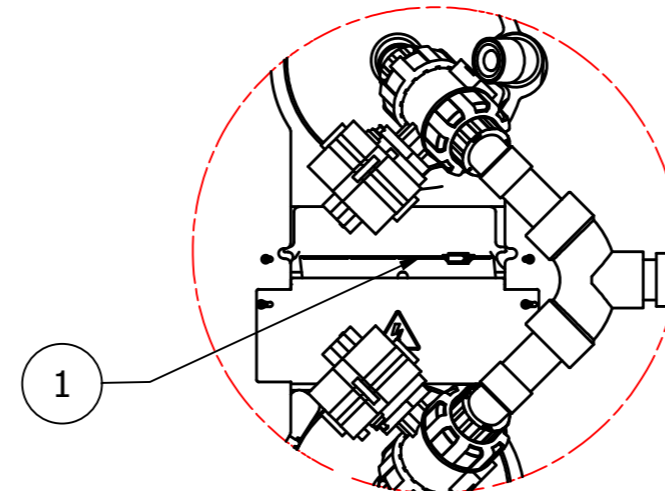


View B - Bottom  
(1 : 7.5)

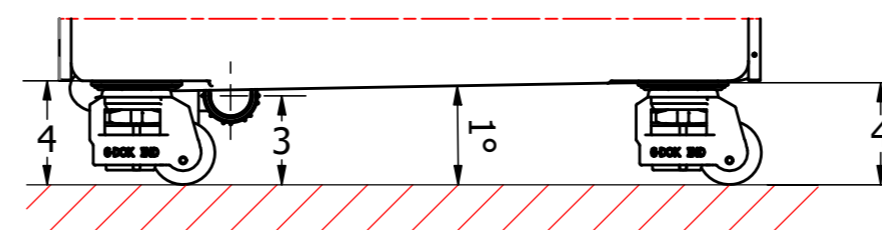
Ø 2" O.D.



Detail D

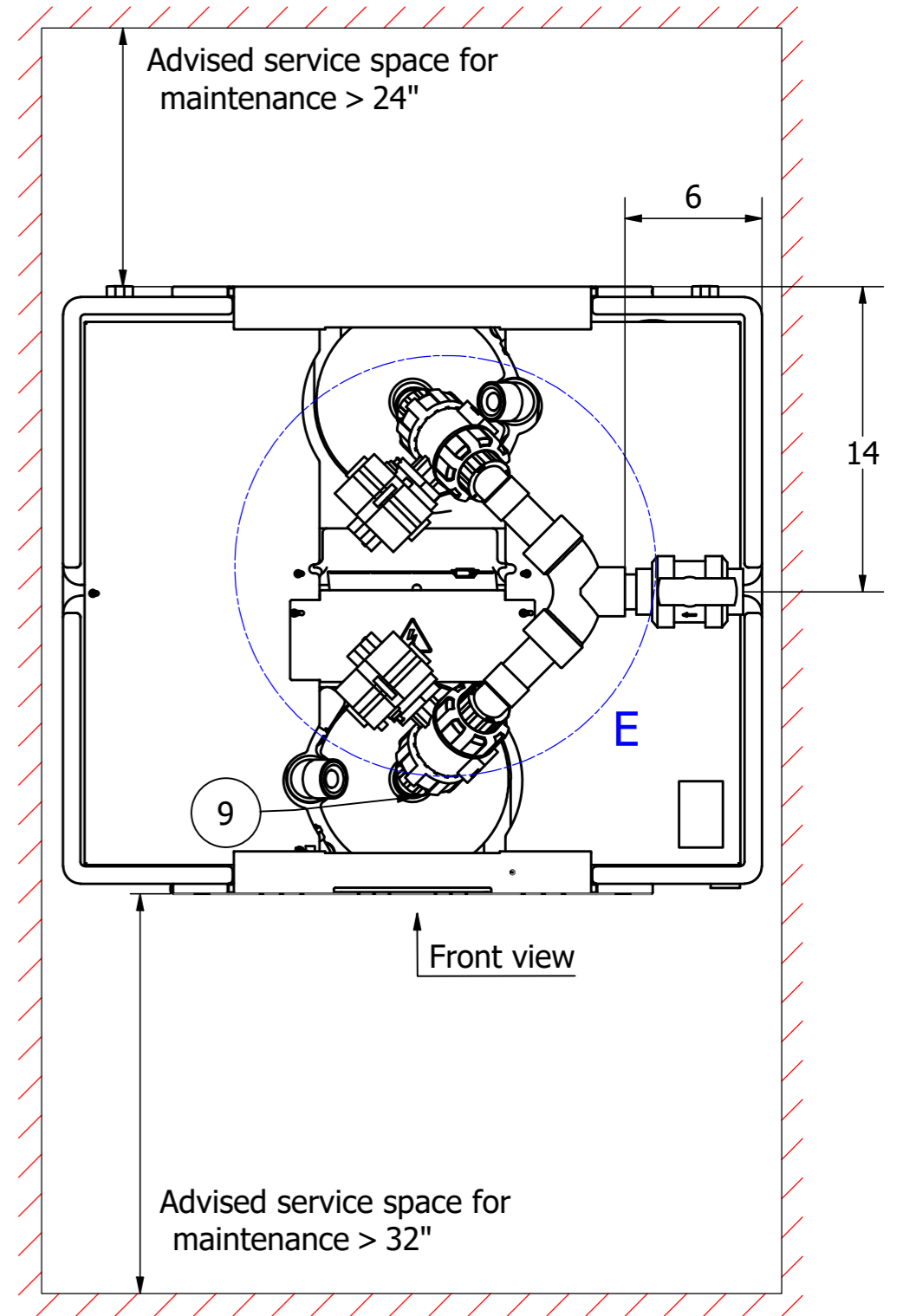


Detail E



Detail C

Advised service space for maintenance > 24"



Front view

Advised service space for maintenance > 32"

View A - Top  
(1 : 7.5)

Sr. no.	Description	Size
1	Power supply	C14
2	Feed to Auxillary	G 1/2" male
3	Feed to Toilet (WC)	G 1/2" male
4	Feed to washing machine (WM)	G 1/2" male
5	Backup water supply	G 1/2" male
6	Waste water outlet	1.5" Compression fitting
7	Inlet for citric acid cleaning	1.2" dia.
8	Inlet manifold	1.2" dia.
9	Inlet	2" dia.

<small>DIMENSIONS ACC. TO EN-ISO 406 SHAPE- AND POSITION TOLERANCES ACC. TO EN-ISO 1101 GENERAL TOLERANCES ACC. TO See forms tab in iLogic</small>		Description: <b>H600 V2.1 230V</b>	Modified by : KD Modified date : 14/03/2025
--	--	---------------------------------------	--

<b>Use Water Twice</b> <b>HYDRALOOP</b>	Scale: 1 : 10	Sheet: 2 / 2	Material :
	Units: in	Projection: 	Drawing NO : HYD0949AE
	A2	Mass: N/A	Project : Version 2.1