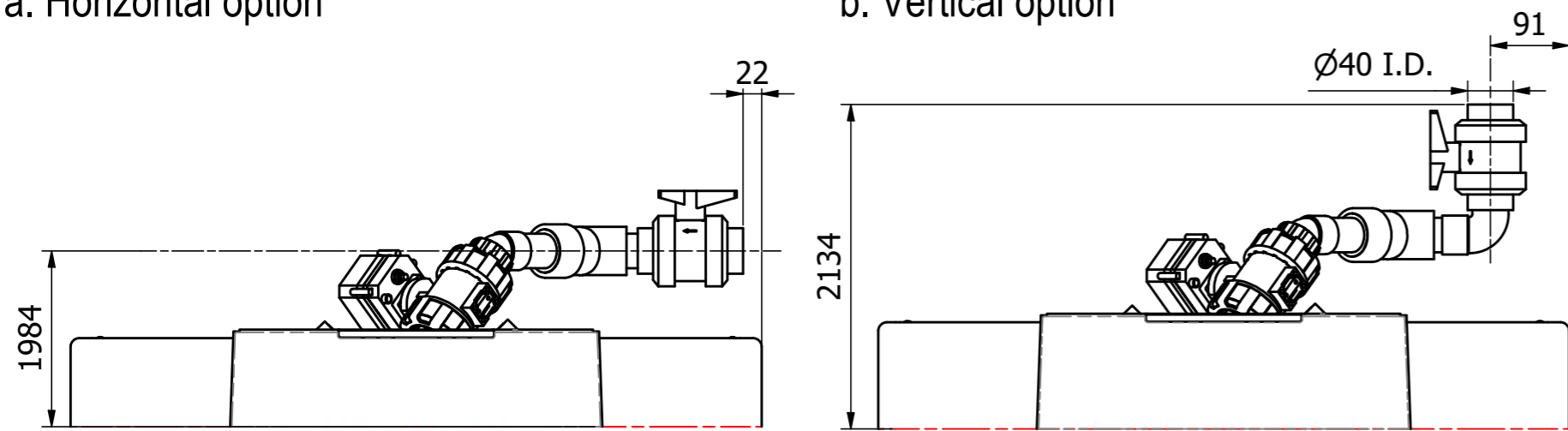
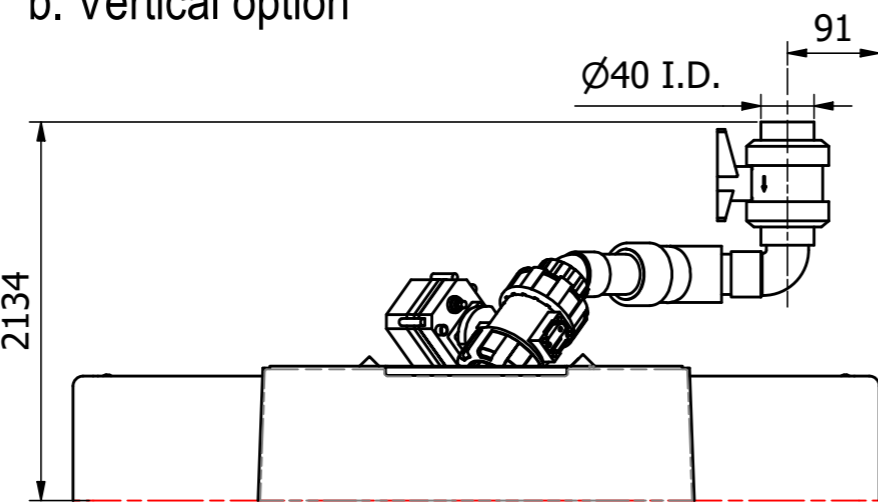


**PVC ball valve - Position options**

a. Horizontal option

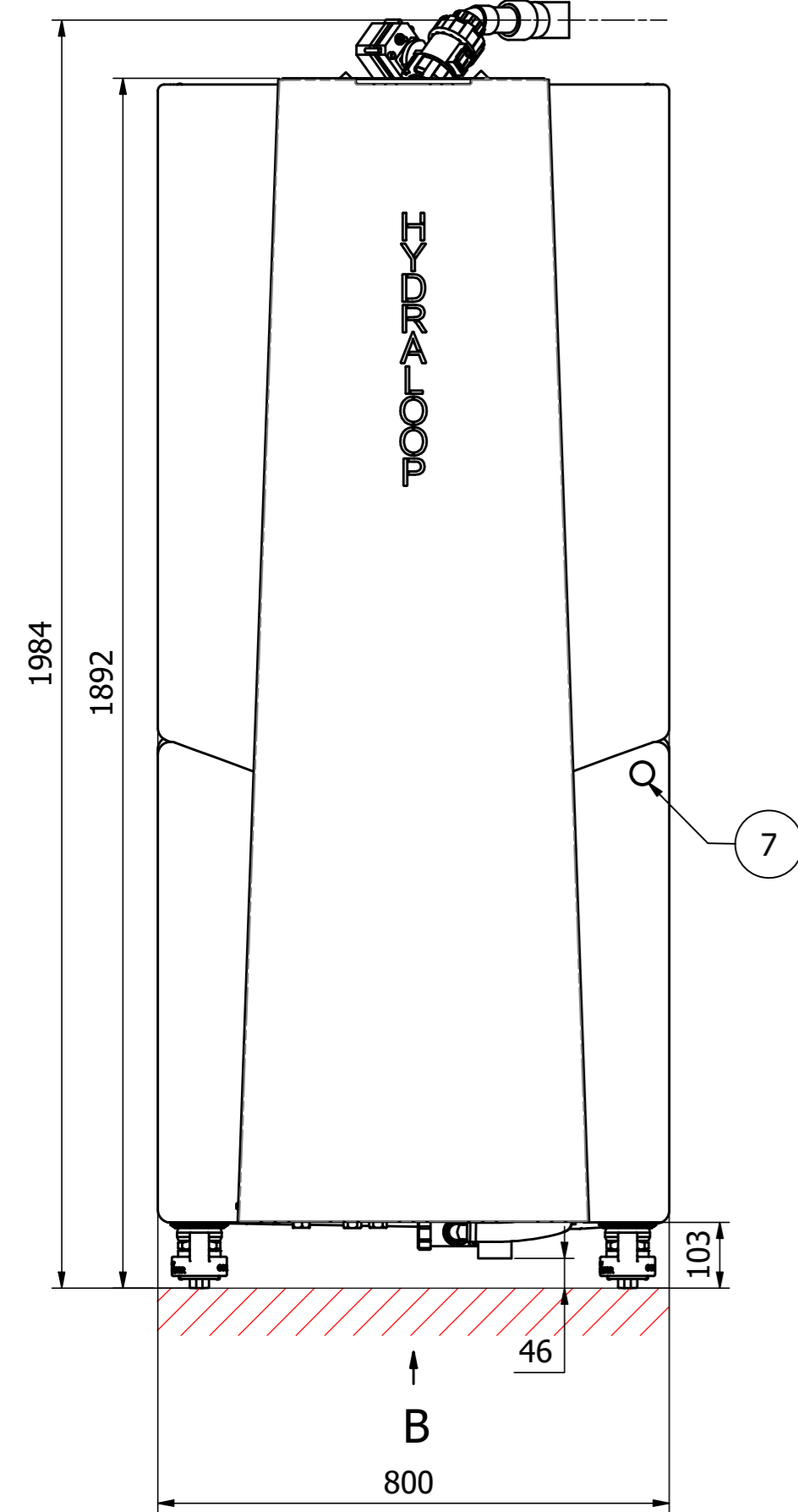


b. Vertical option



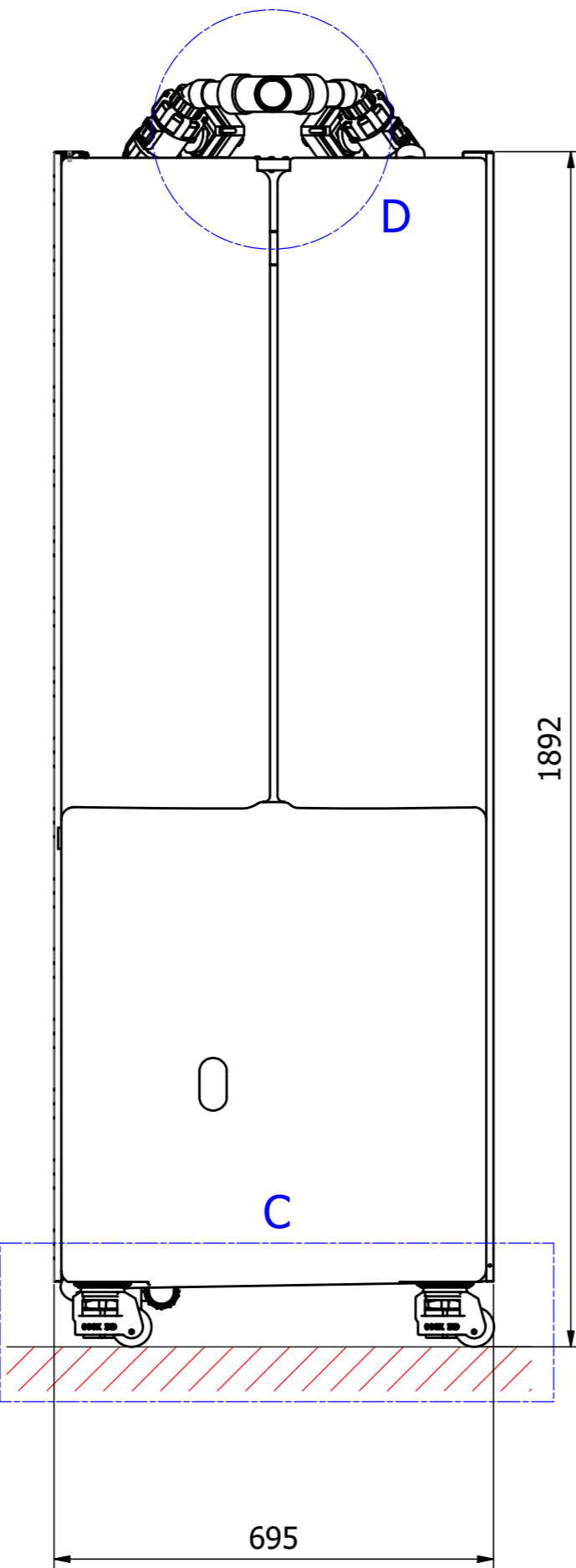
Two Inlet options have been provided : 50mm standard or 40mm with the supplied ball valve.

A

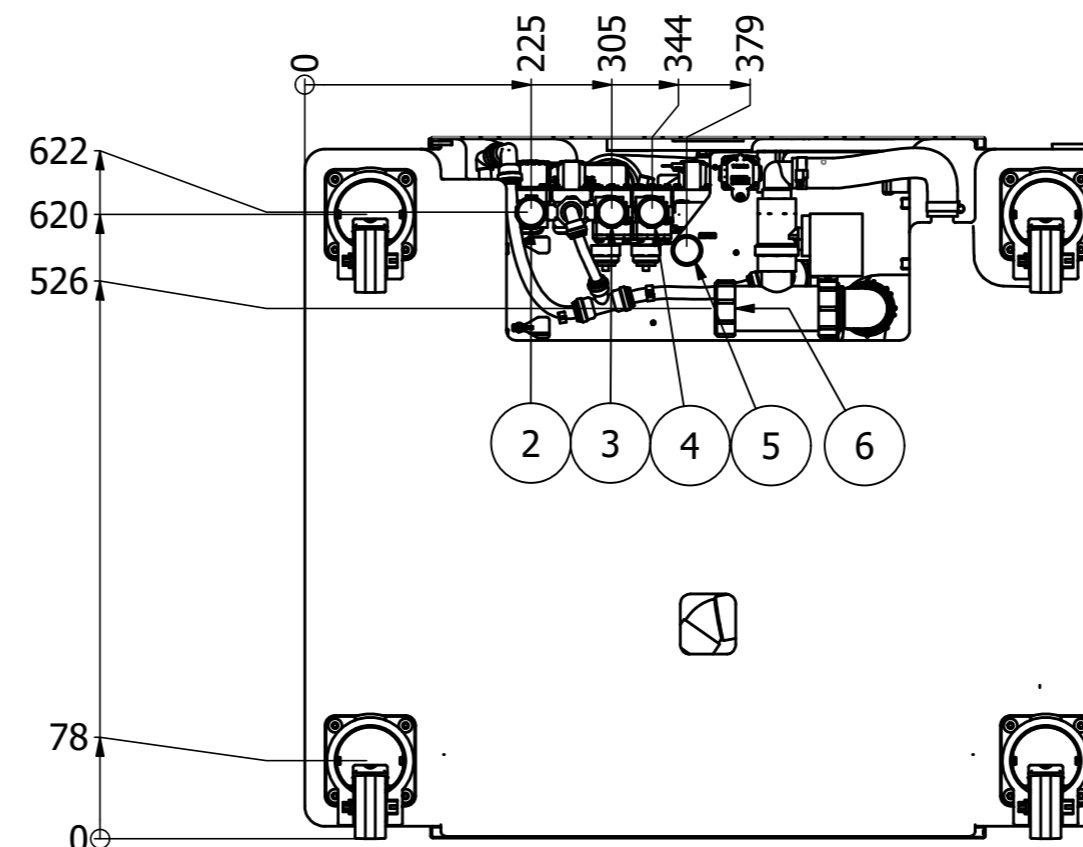


HYDRALOOP

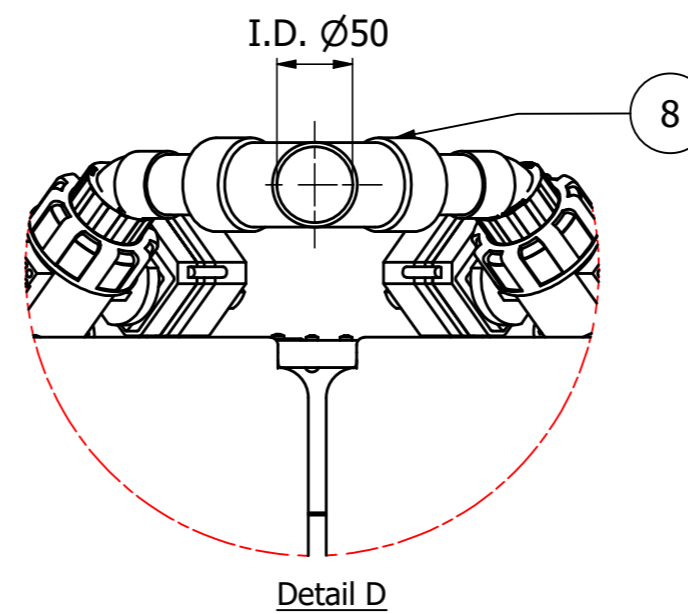
D



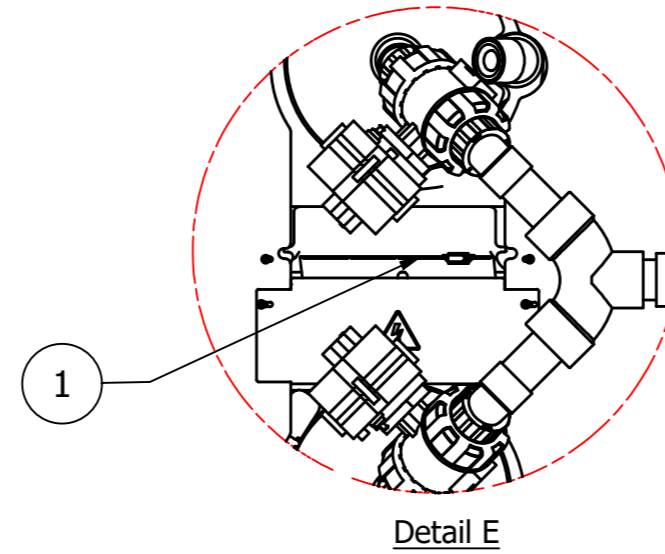
C



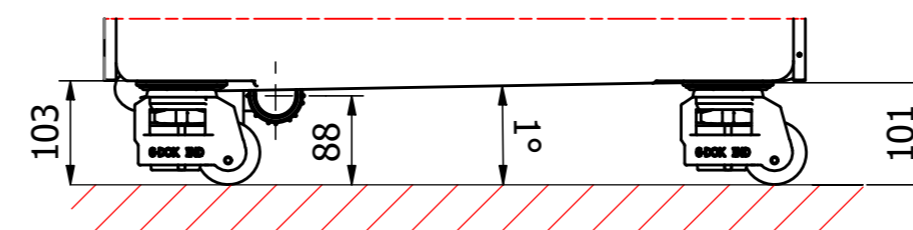
View B - Bottom  
(1 : 7.5)



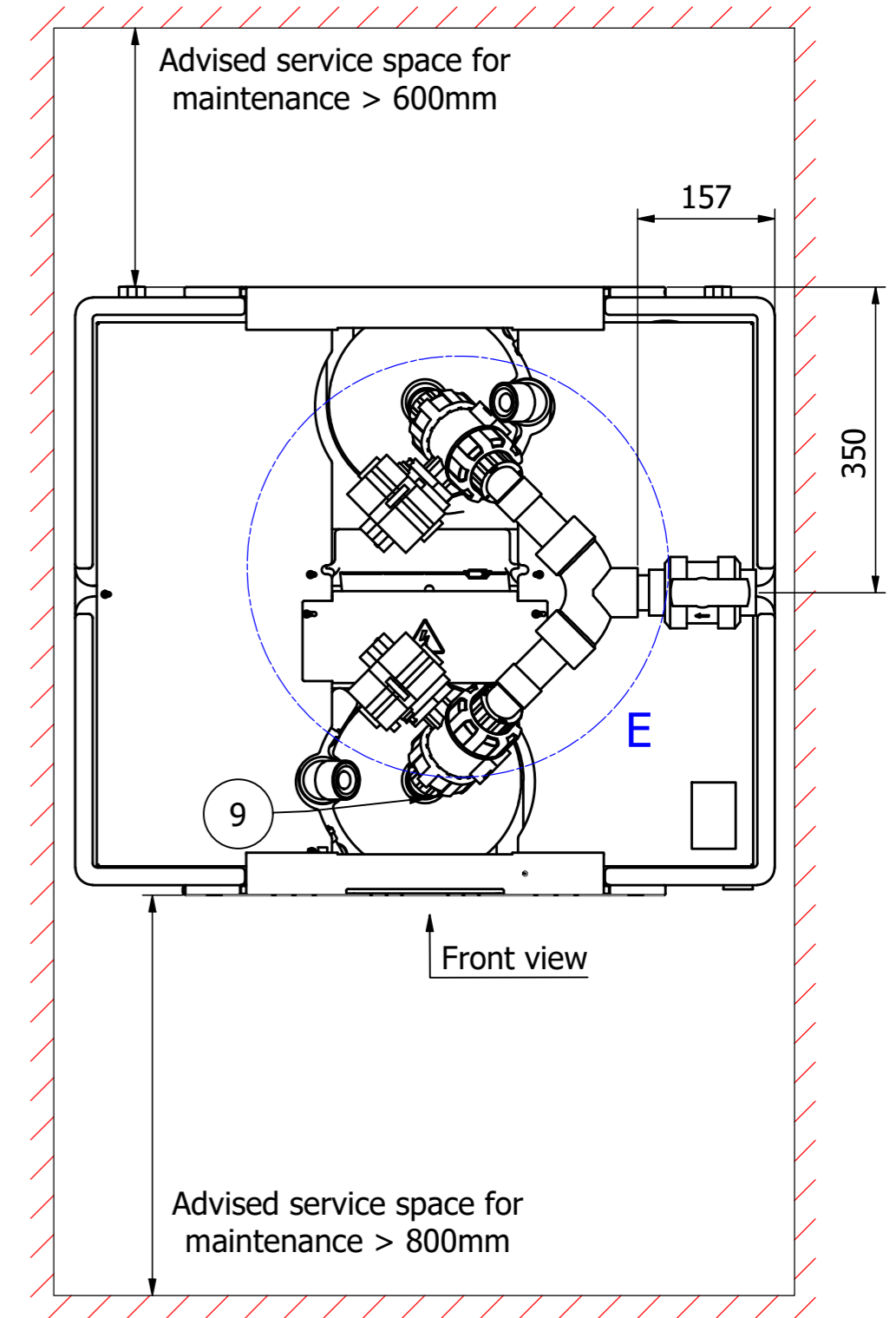
Detail D



Detail E



Detail C



Front view

View A - Top  
(1 : 7.5)

| Sr. no. | Description                    | Size                      |
|---------|--------------------------------|---------------------------|
| 1       | Power supply                   | C14                       |
| 2       | Feed to Auxillary              | G 1/2" male               |
| 3       | Feed to Toilet (WC)            | G 1/2" male               |
| 4       | Feed to washing machine (WM)   | G 1/2" male               |
| 5       | Backup water supply            | G 1/2" male               |
| 6       | Waste water outlet             | 40 mm Compression fitting |
| 7       | Inlet for citric acid cleaning | 31 mm dia.                |
| 8       | Inlet manifold                 |                           |
| 9       | Inlet                          | 50 mm dia.                |

|  |                                       |  |
|--|---------------------------------------|--|
| <small>DIMENSIONS ACC. TO EN-ISO 406<br/>SHAPE- AND POSITION TOLERANCES ACC. TO EN-ISO 1101<br/>GENERAL TOLERANCES ACC. TO See forms tab in iLogic</small> | Description:<br><b>H600 V2.1 230V</b> | Modified by : KD<br>Modified date : 14/03/2025 |
|--|---------------------------------------|--|

|  |  |   |
|--|--|---|
| Scale:<br>1 : 10<br>Units:<br>mm<br>A2 | Sheet:<br>1 / 2<br>Projection:<br>Mass:<br>N/A | Material :<br>Drawing NO : HYD0949AE<br>Project : Version 2.1 |
|--|--|---|

**Use Water Twice**  
**HYDRALOOP**