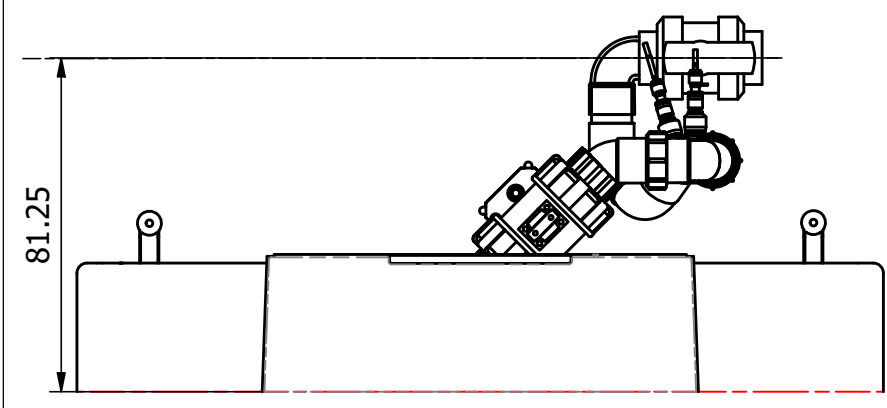
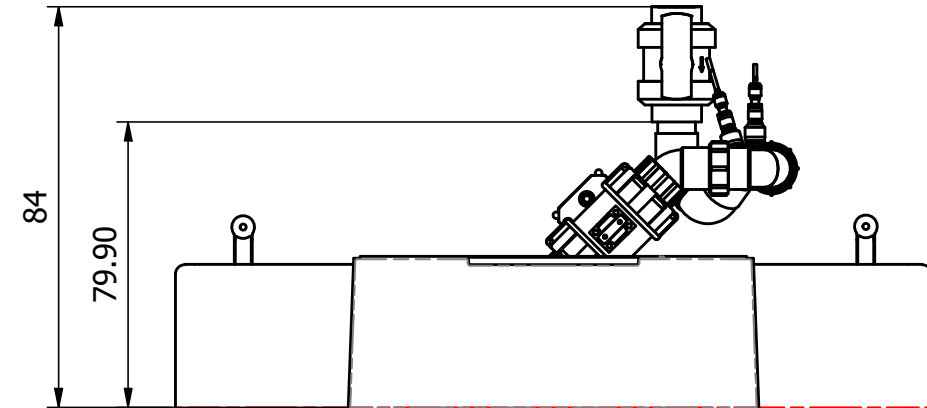


PVC ball valve - Position options

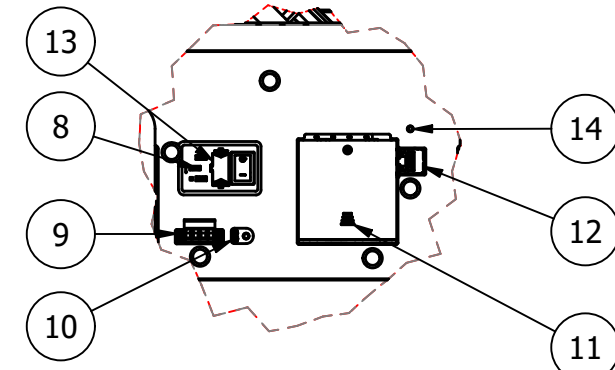
a. Horizontal option



b. Vertical option

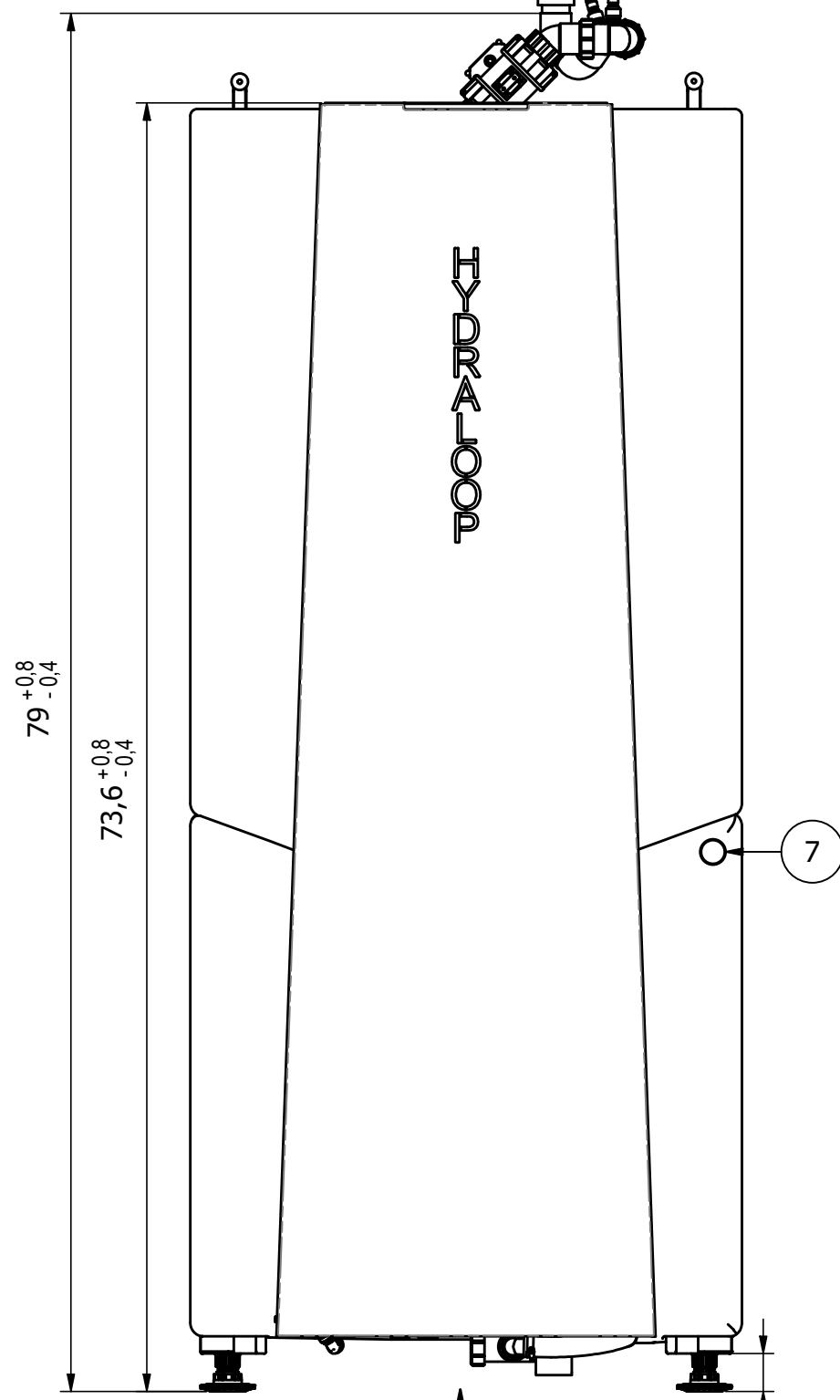


Detail F
(Scale 1 : 5)

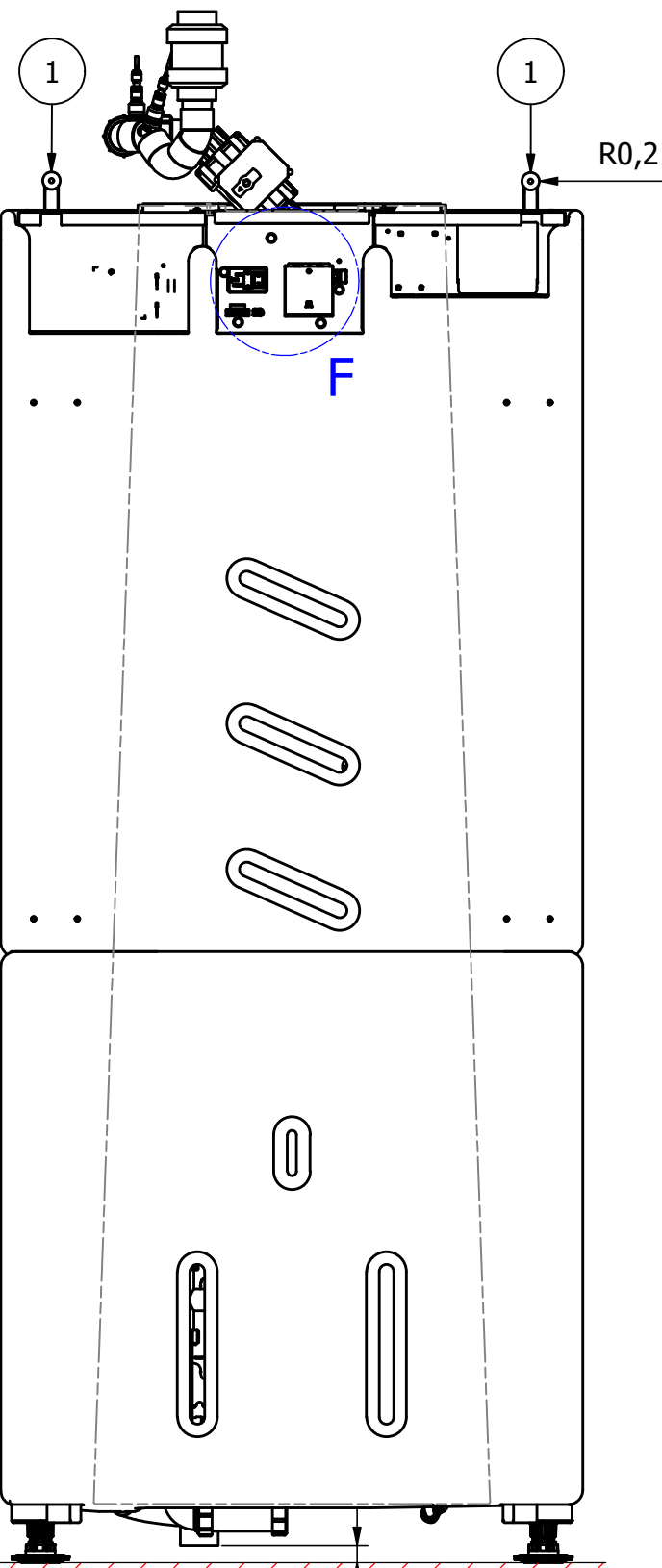


View A
Ø1.5"
ID - water inlet

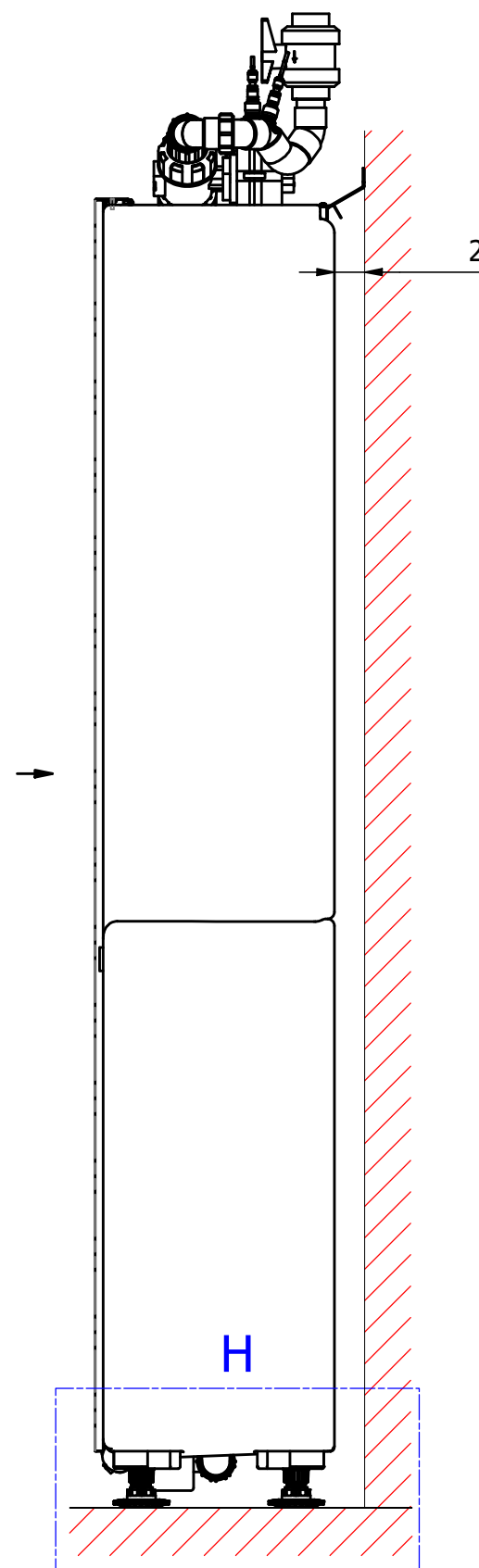
HYDRALOOP



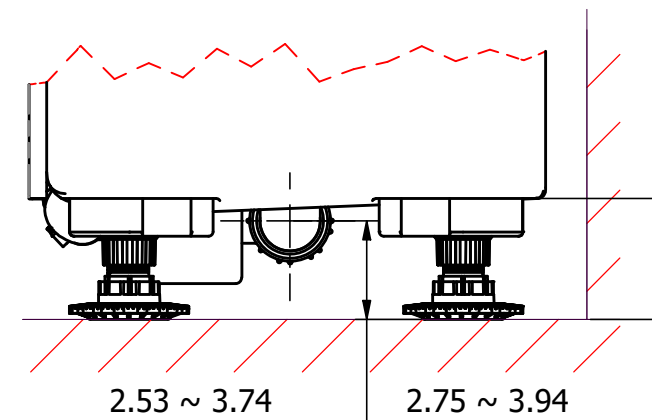
View B 1.79 ~ 2.97



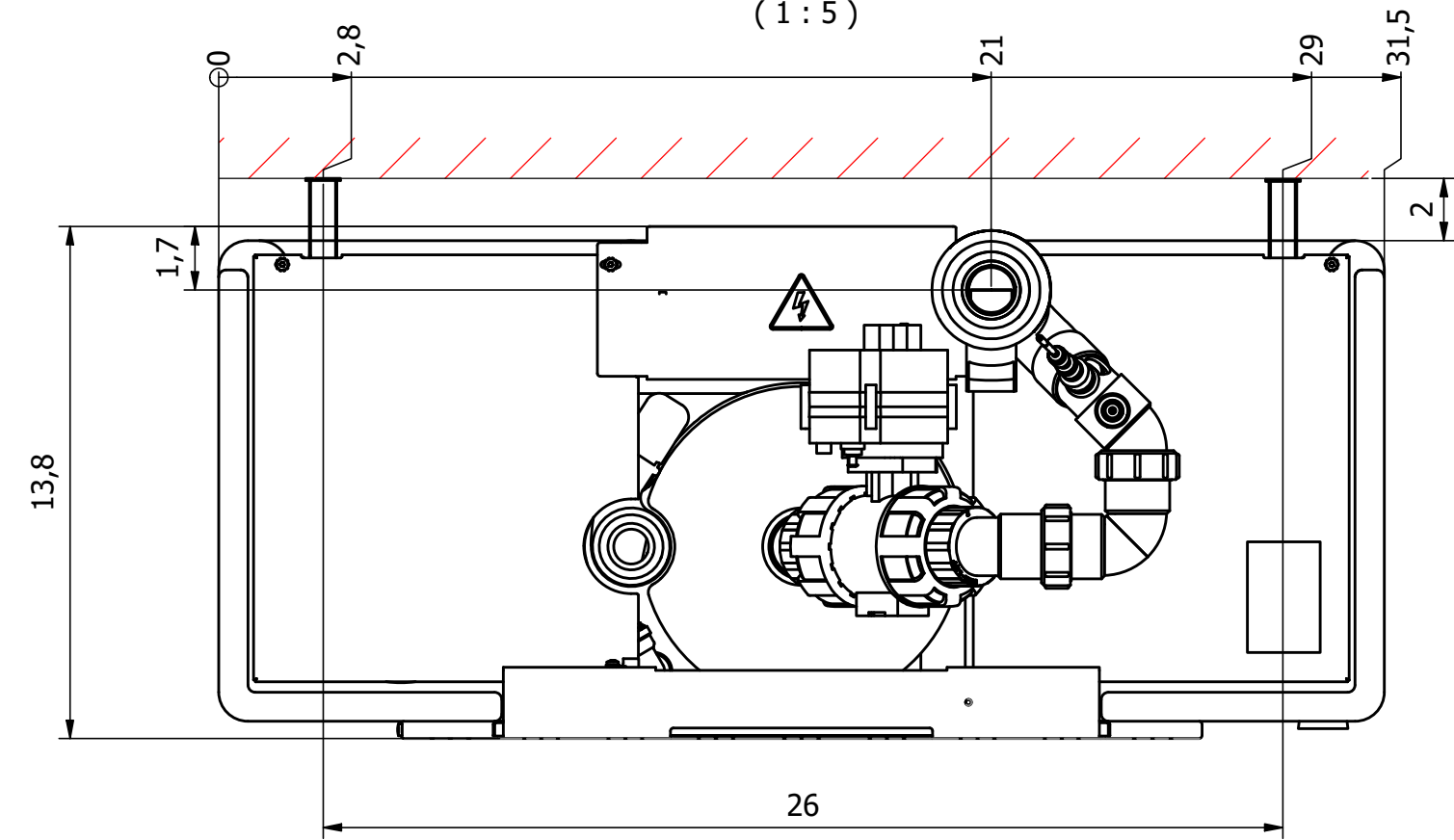
1.18 ~ 2.36



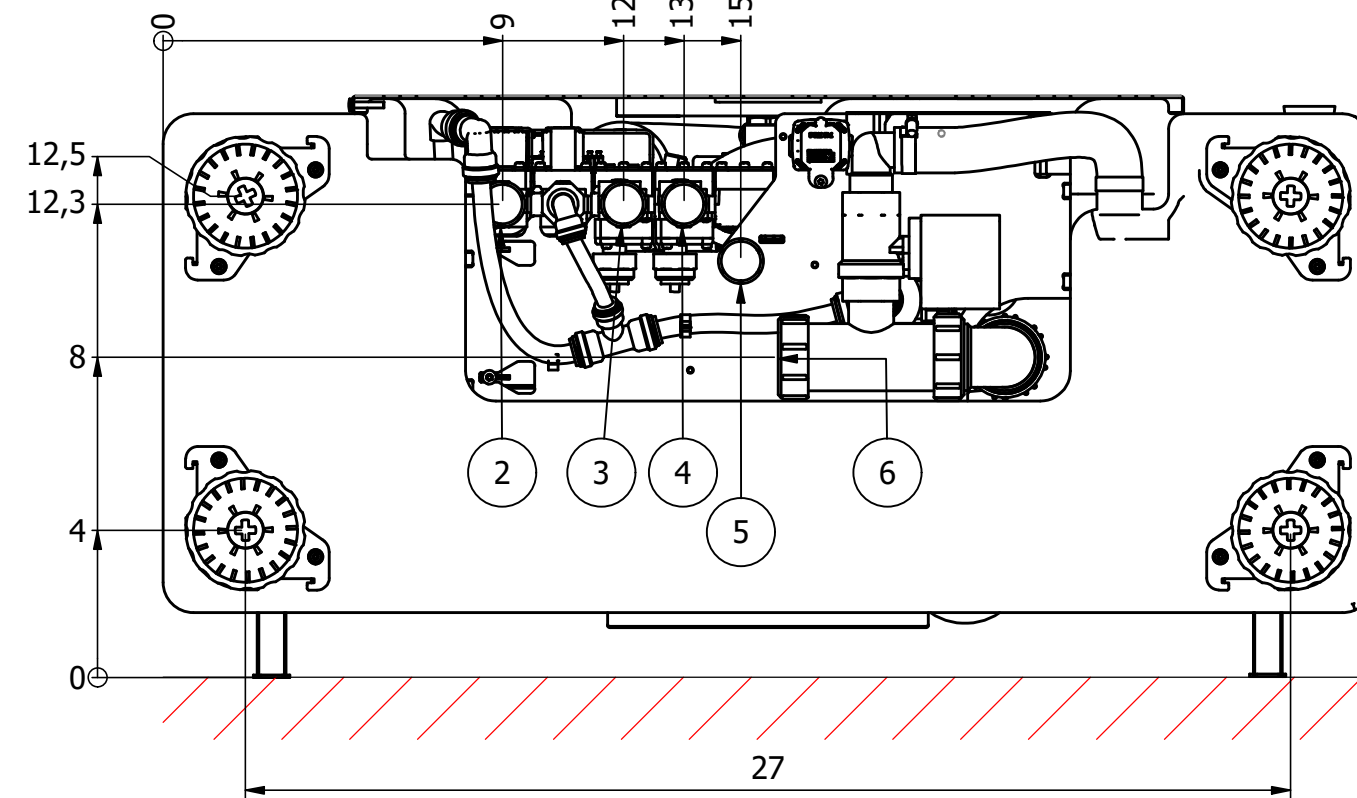
Detail H
(Scale 1 : 5)



View A
(1 : 5)



View B
(1 : 5)



TABLE

POS	DESCRIPTION
1	Wall mount
2	Feed to Garden
3	Feed to toilet cistern (WC)
4	Feed to washing machine
5	Mains water supply
6	Waste water sleeve
7	Maintenance inlet for citric acid cleaning
8	Power supply
9	RS485
10	USB-C
11	Battery
12	LAN
13	Fuse
14	OPT button

DIMENSIONS ACC. TO EN-ISO 496 SHAPE- AND POSITION TOLERANCES ACC. TO EN-ISO 1101 GENERAL TOLERANCES ACC. TO ISO 2768-mK		Description: H300 V2.1 230V IDV		Modified by : KD Modified date : 04/02/2025
HYDRALOOP USE WATER TWICE		Scale: 1 : 10 Units: inch	Sheet: 2 / 2 Projection:	Material : Drawing NO : HYD0844AC
		Mass: N/A	Project : PDP-0218	