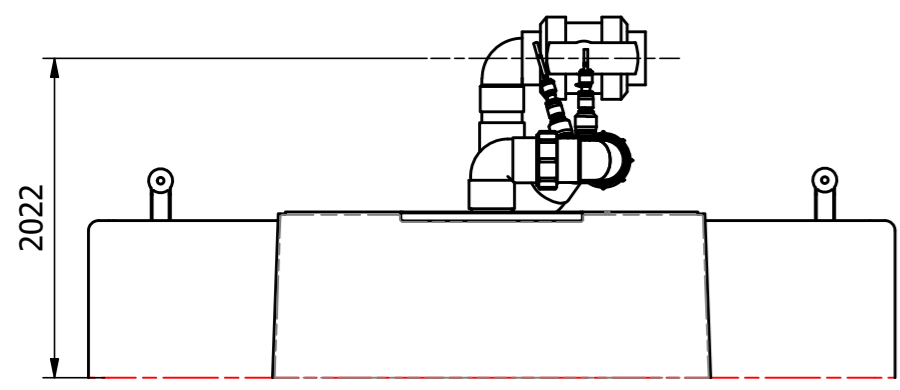
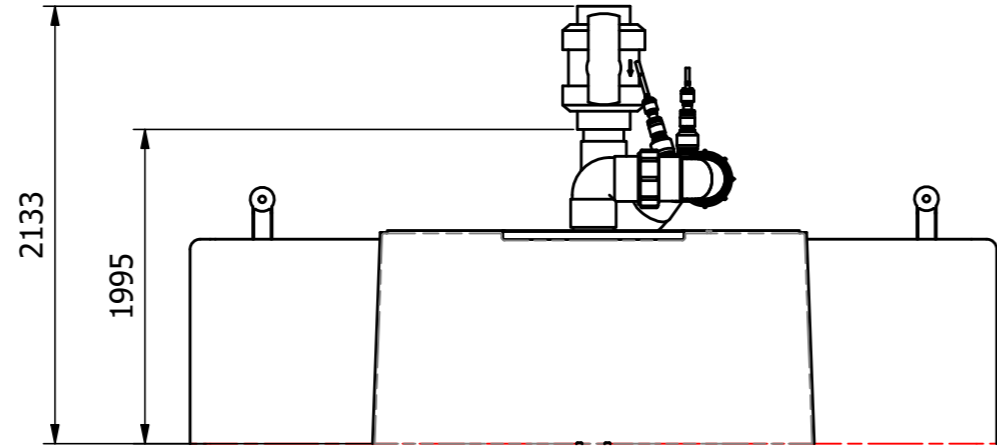


PVC ball valve - Position options

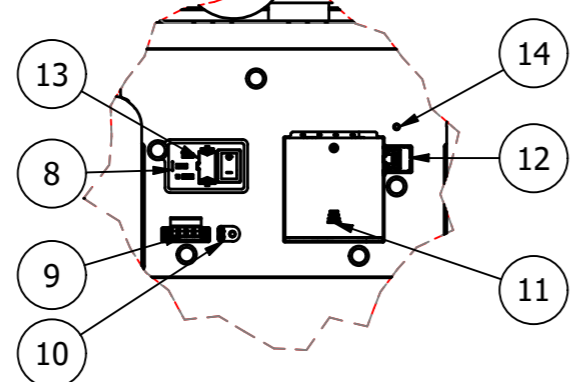
a. Horizontal option



b. Vertical option

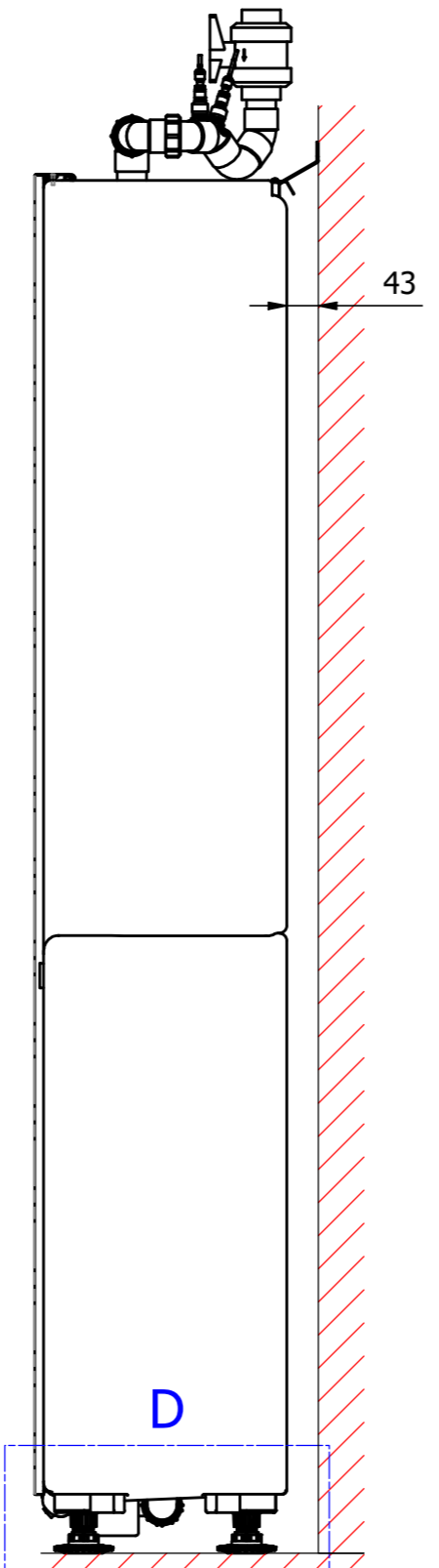
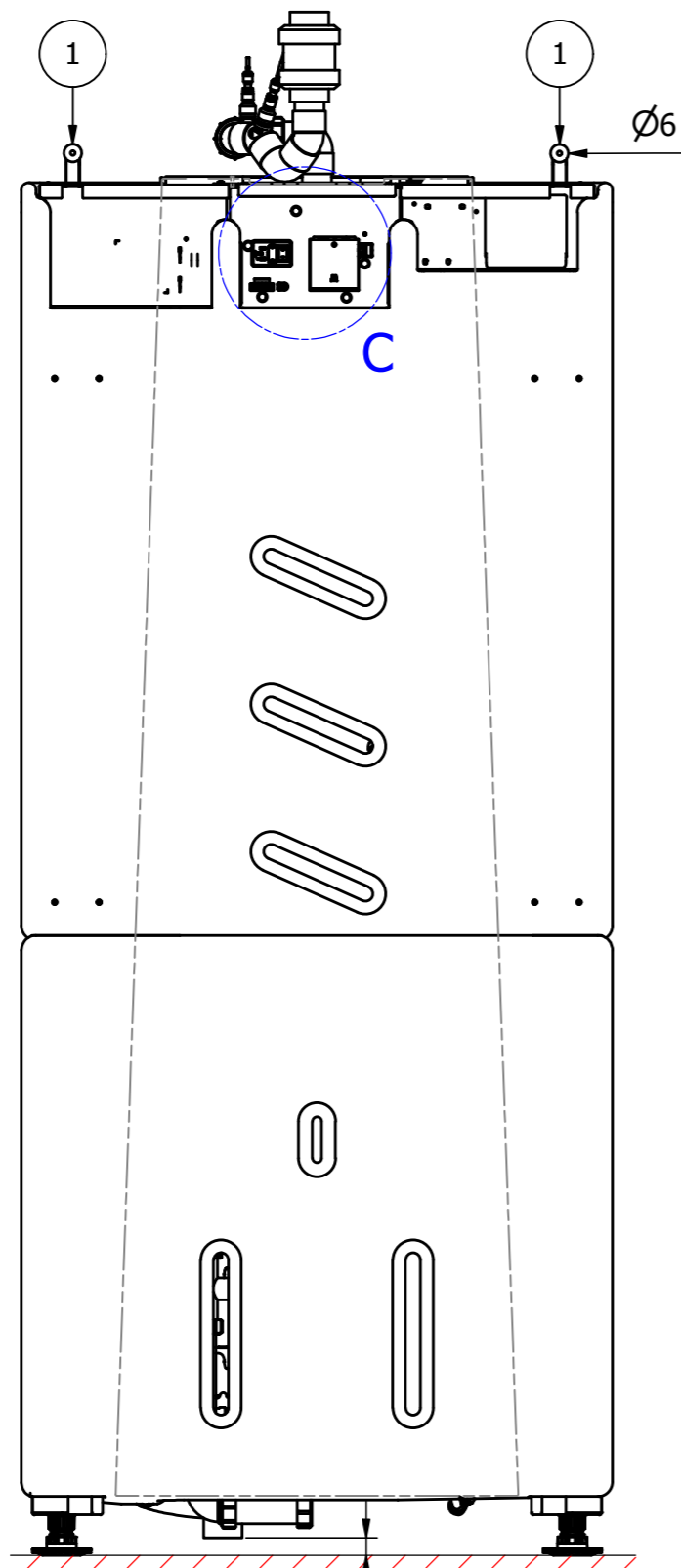
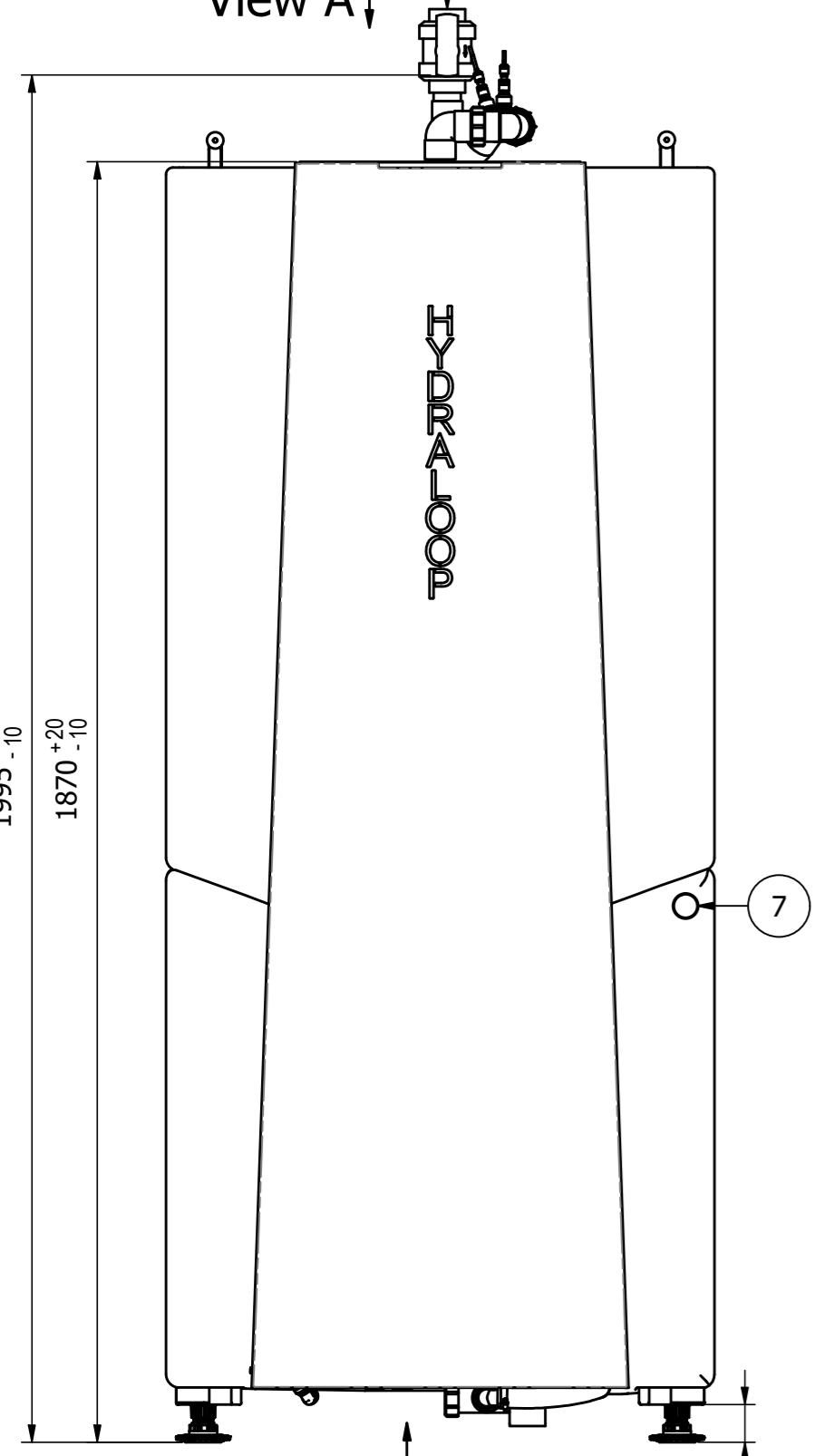


Detail C
(Scale 1 : 5)

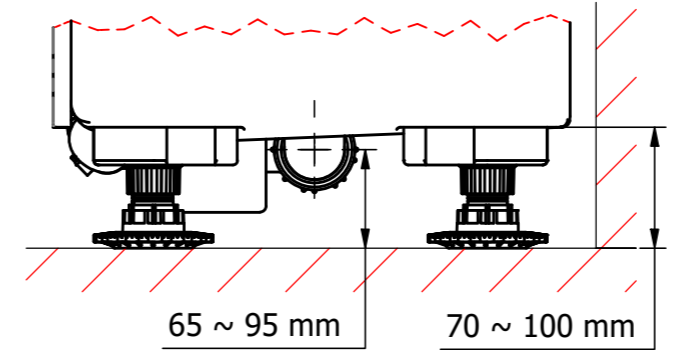


Ø40 mm ID - water inlet

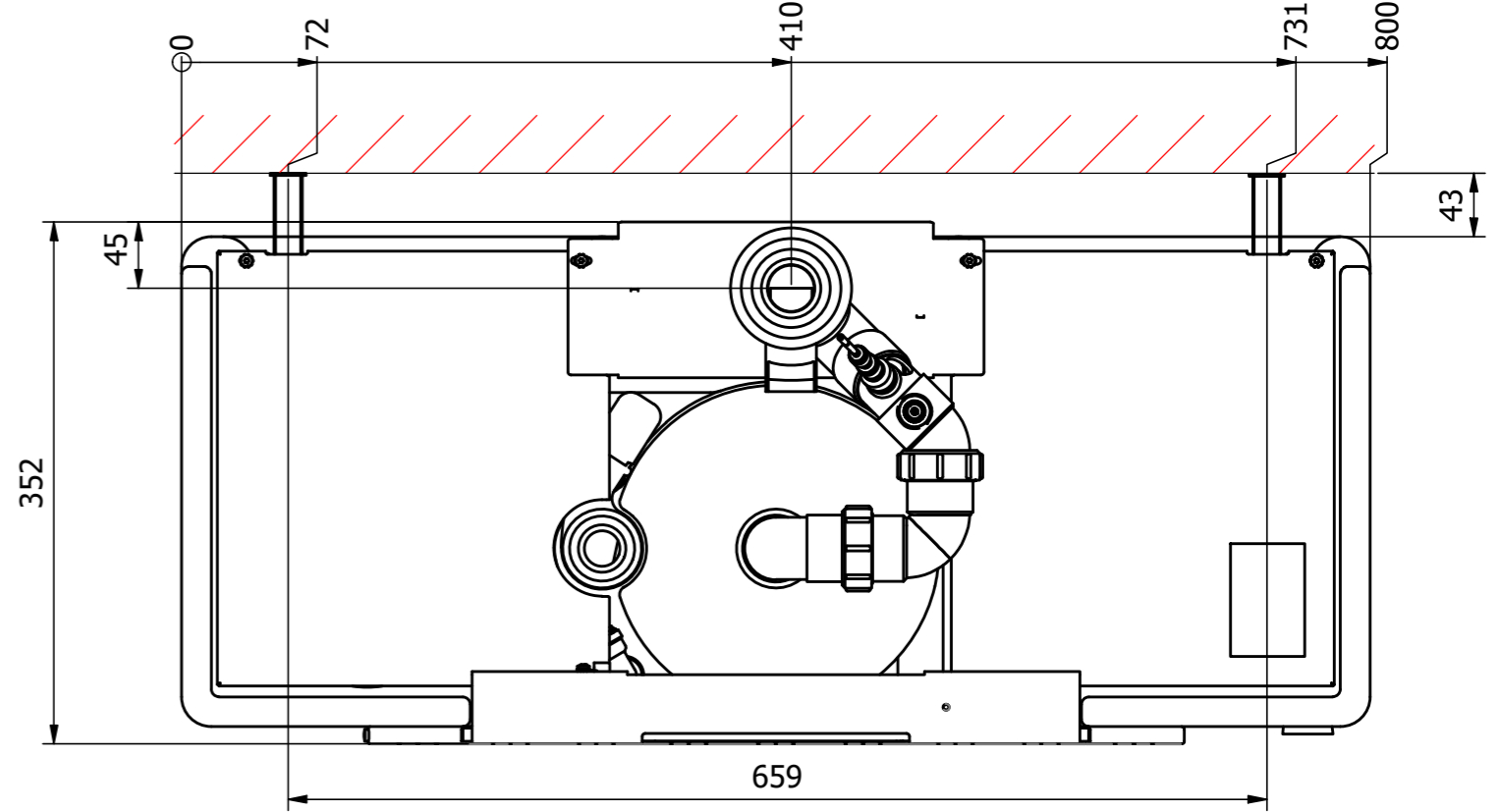
View A ↓



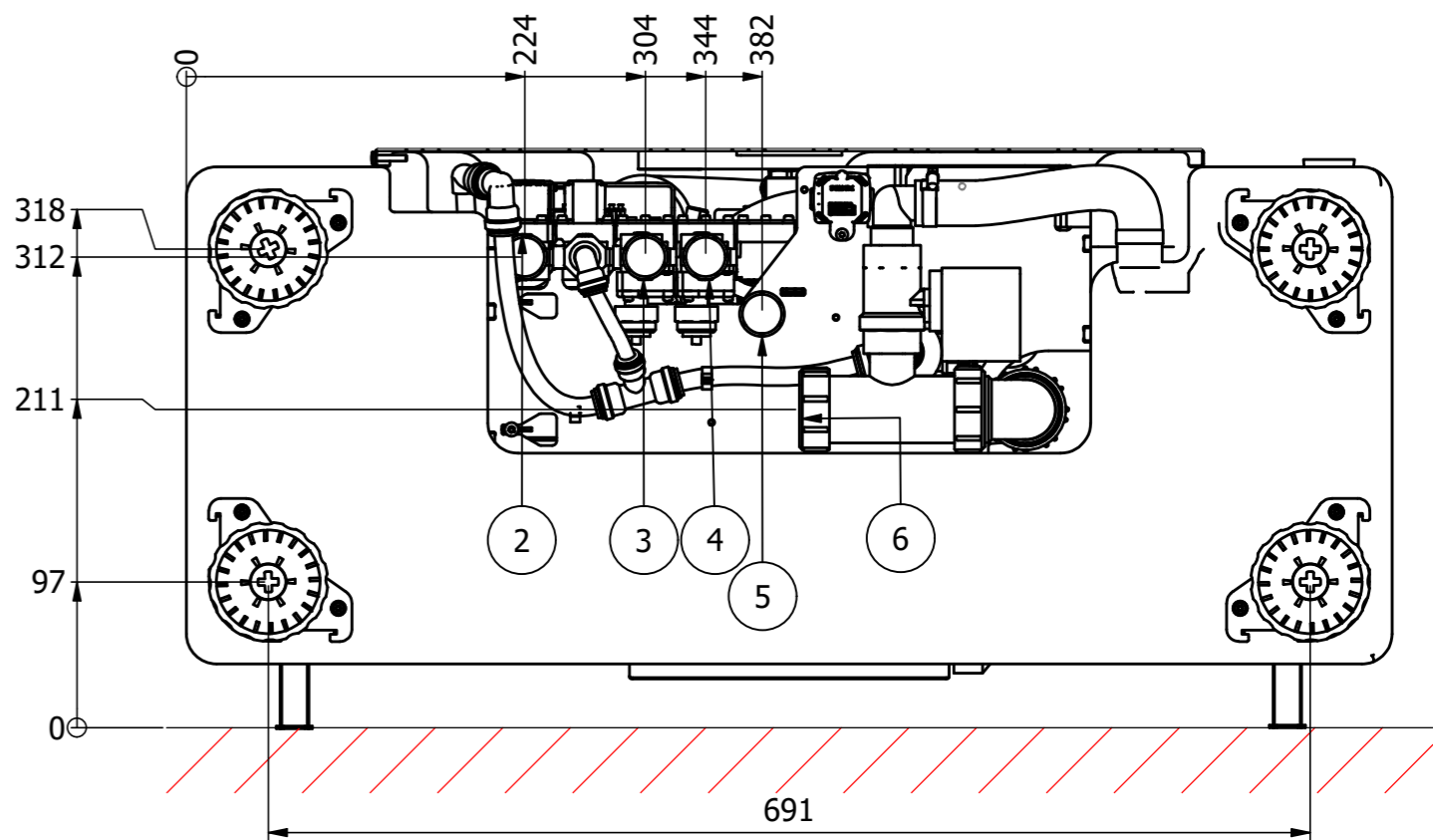
Detail D
(Schaal 1 : 5)



View A
(1 : 5)



View B
(1 : 5)



TABLE

POS	DESCRIPTION
1	Wall mount
2	Feed to Garden
3	Feed to toilet cistern (WC)
4	Feed to washing machine
5	Mains water supply
6	Waste water sleeve
7	Maintenance inlet for citric acid cleaning
8	Power supply
9	RS485
10	USB-C
11	Battery
12	LAN
13	Fuse
14	OPT button

DIMENSIONS ACC. TO EN-ISO 406
 SHAPE- AND POSITION TOLERANCES ACC. TO EN-ISO 1101
 GENERAL TOLERANCES ACC. TO ISO 2768-mK

Description: H300 V2.1 230V STD
 Modified by : KD
 Modified date : 04/02/2025
 Material :
 Drawing NO : HYD0845AC
 Project : PDP-0218

Scale: 1 : 10
 Sheet: 1 / 2
 Units: mm
 Projection:
 Mass: N/A

HYDRALOOP
 USE WATER TWICE